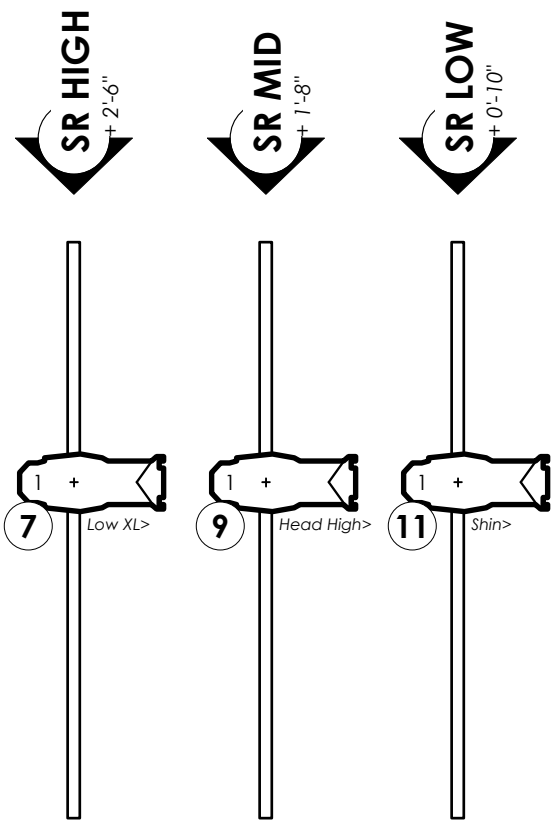
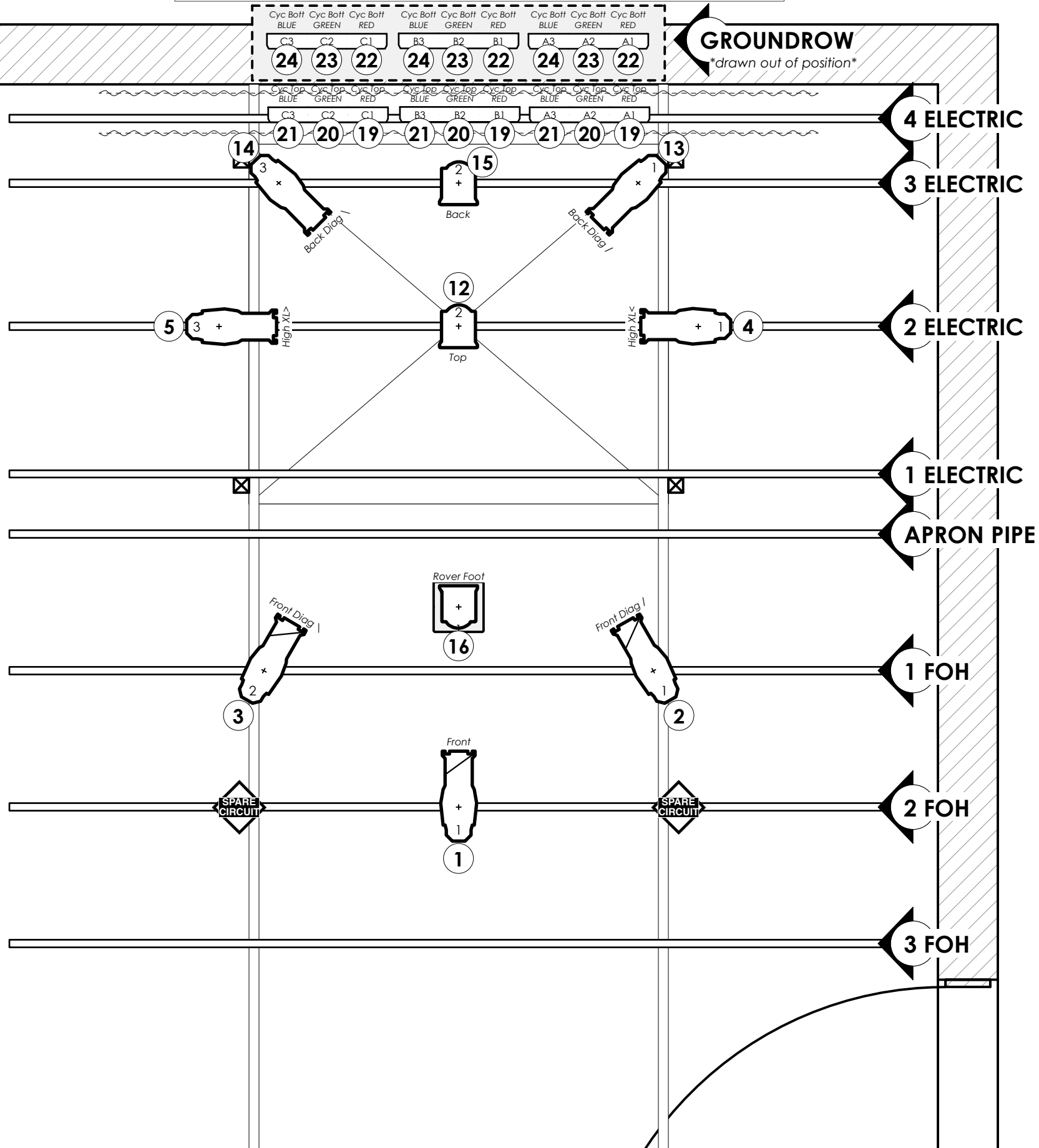
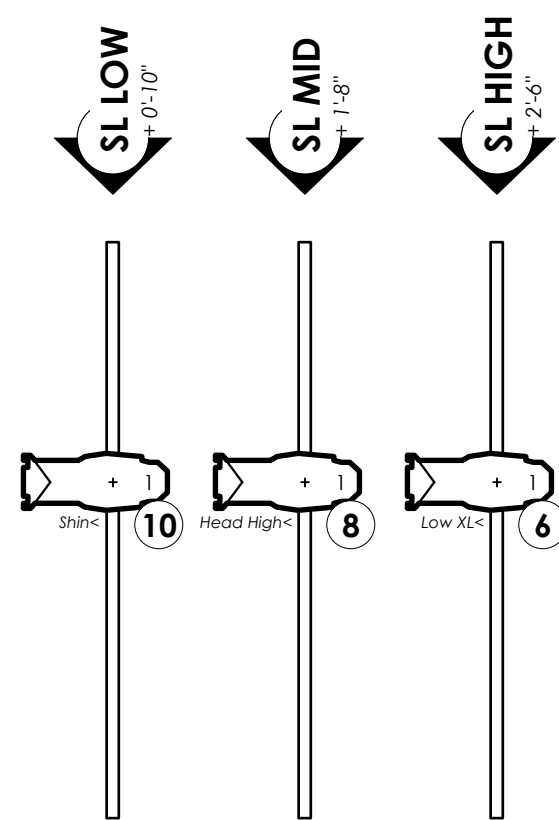


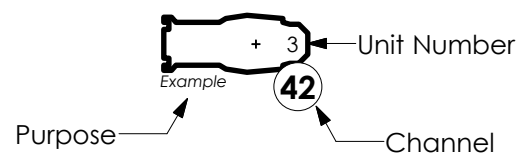
all US/DS pipes drawn out of position



all US/DS pipes drawn out of position



Symbol Layout



Instrument Key

	S4 Mini 19deg	50w
	S4 Mini 26deg	50w
	S4 Mini 36deg	50w
	S4 Mini 50deg	50w
	3" Fresnel (Inky)	100w
	PAR 16 (Birdie)	75w
	12" iColor LED	---

WC Light Lab

Washington College
Gibson Center for the Arts
Dept. of Theatre & Dance

Resident Designer:
Prof. Laura J. Eckelman (leckelman2@washcoll.edu)

Technical Directors:
Larry Stahl (lstahl2@washcoll.edu)
Hannah D'Eia (hdelia2@washcoll.edu)

Revision History

- 10 Feb 2017 - Initial Install (LJE)
- 16 Aug 2017 - added LED cyc LX (LJE)
- 3 Feb 2018 - Ch.1 now 26deg
- 28 March 2019 - labels clarified

This drawing represents visual concepts and construction suggestion only. It does not replace the knowledge and advice of a licensed structural engineer. The designer is unqualified to determine the structural appropriateness of this design and will not assume responsibility for improper engineering, handling, or use.

Light Plot

Scale: 1" = 1'-0"

plate

1